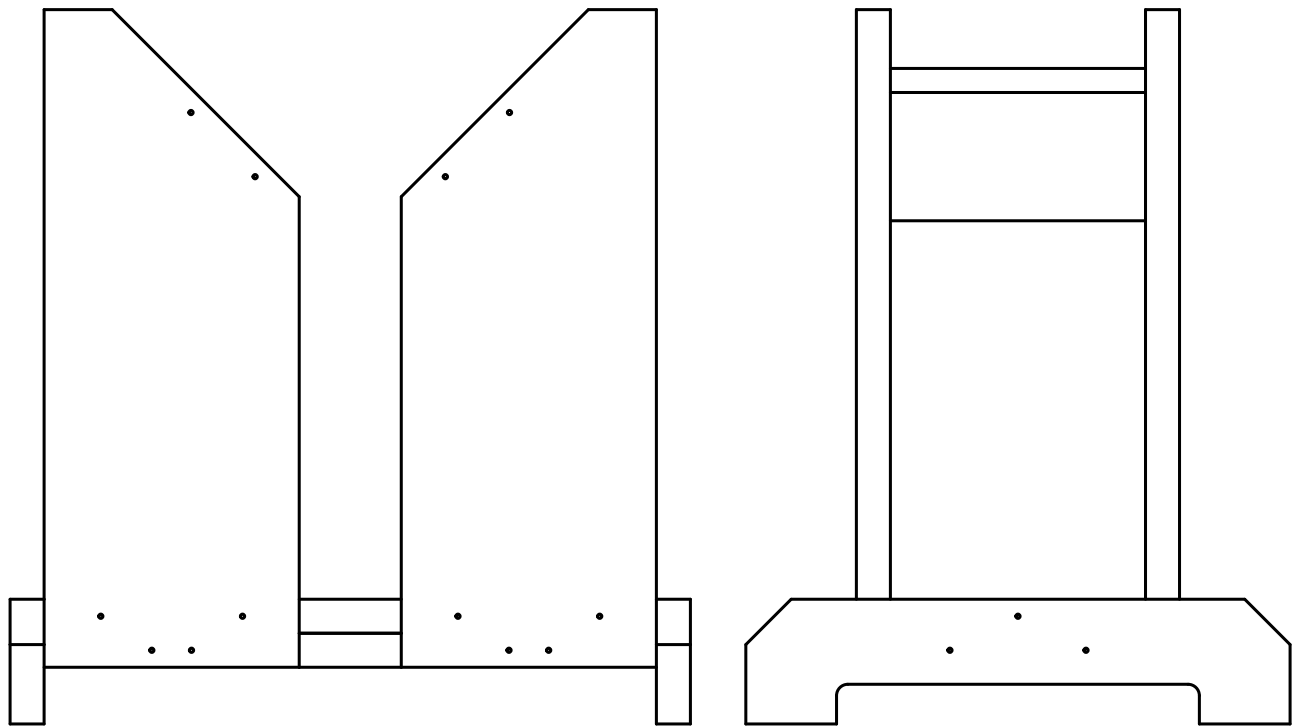


2

1

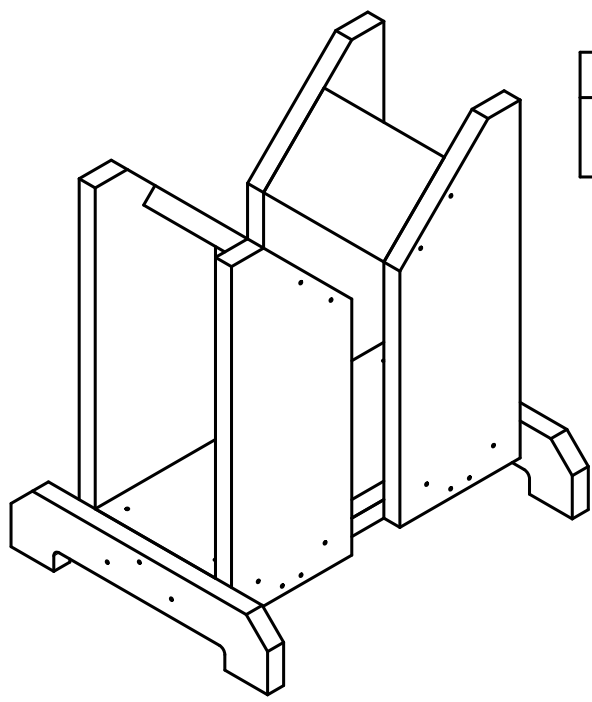
B

B



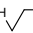

A

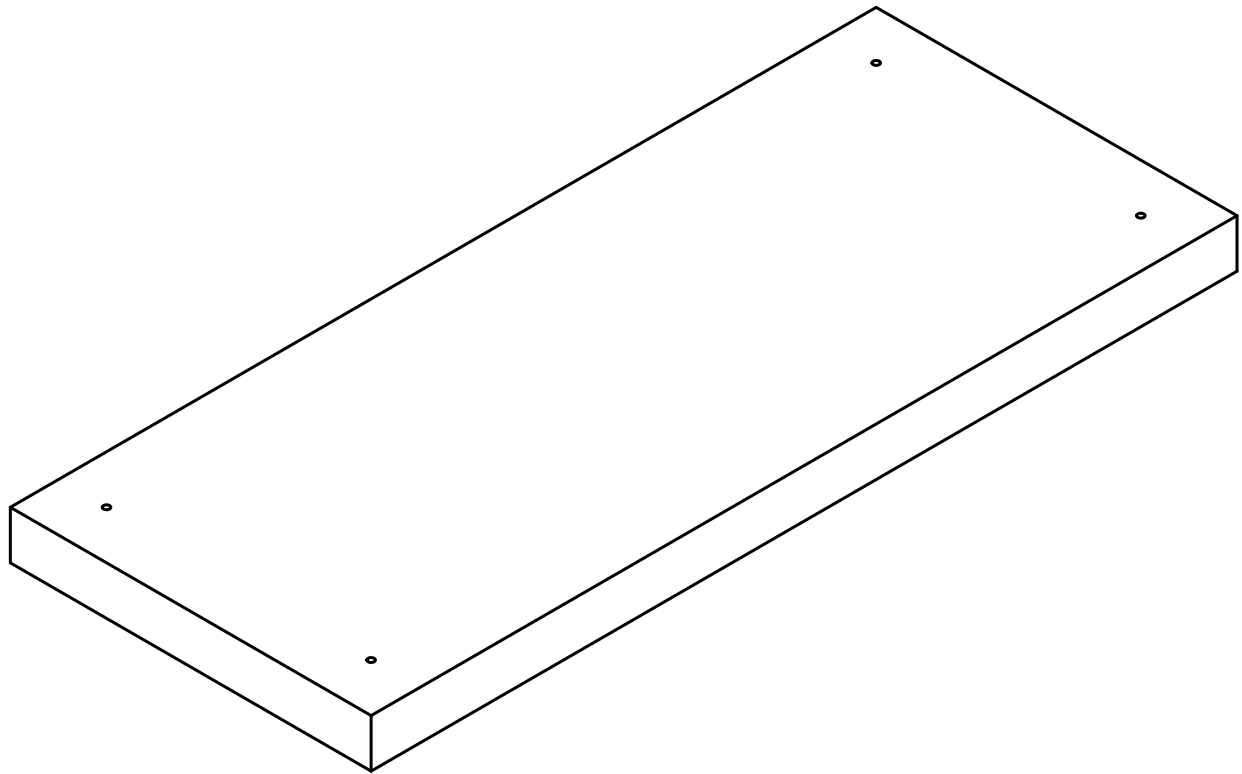
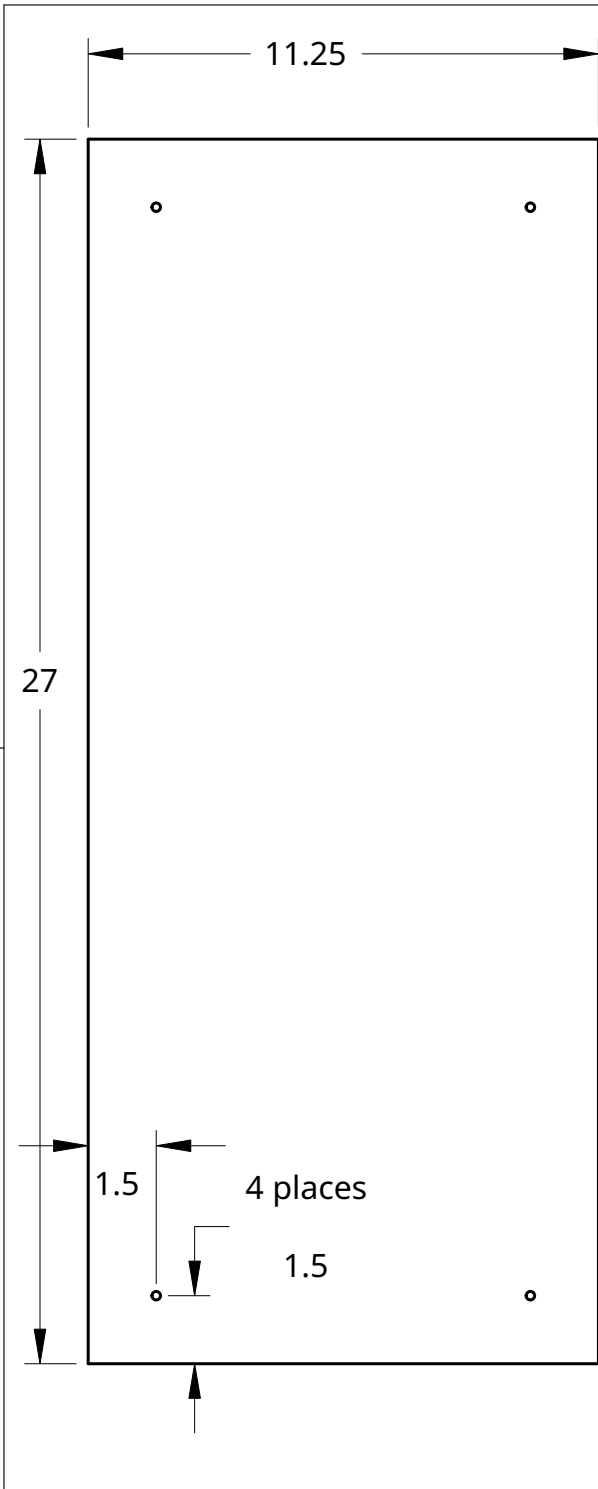
A



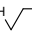

2

1

UNLESS OTHERWISE SPECIFIED, DIMENSIONS ARE IN MILLIMETERS ANGULAR = ± ° SURFACE FINISH  DO NOT SCALE DRAWING BREAK ALL SHARP EDGES AND REMOVE BURRS THIRD ANGLE PROJECTION 	DRAWN	NAME	DATE	TITLE Saw Buck Assembly	
	CHECKED	JENNY TRICE	12/13/2020		
	APPROVED				
	MATERIAL	FINISH	SIZE	DWG NO.	REV.
			A		
			SCALE	WEIGHT	SHEET
			2:1		1 of 1



Note: Part cut from 2"x12" dimensioned lumber
Predrill only one board

UNLESS OTHERWISE SPECIFIED, DIMENSIONS ARE IN MILLIMETERS ANGULAR = ± ° SURFACE FINISH 	DRAWN	NAME	DATE	TITLE Base boards (2)		
	CHECKED	JENNY TRICE	12/13/2020			
	APPROVED					
	DO NOT SCALE DRAWING					
BREAK ALL SHARP EDGES AND REMOVE BURRS				SIZE	DWG NO.	REV.
THIRD ANGLE PROJECTION 	MATERIAL	FINISH		A		
				SCALE	WEIGHT	SHEET
				6:1		1 of 1

2

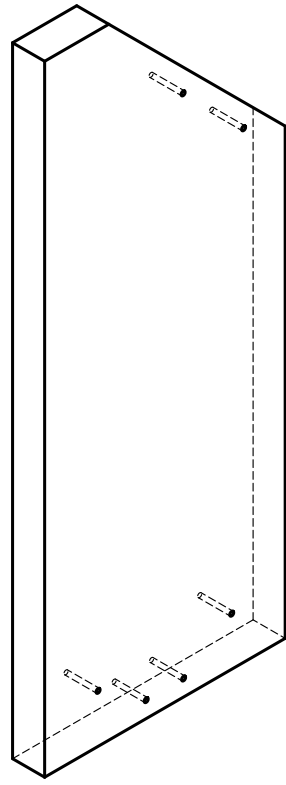
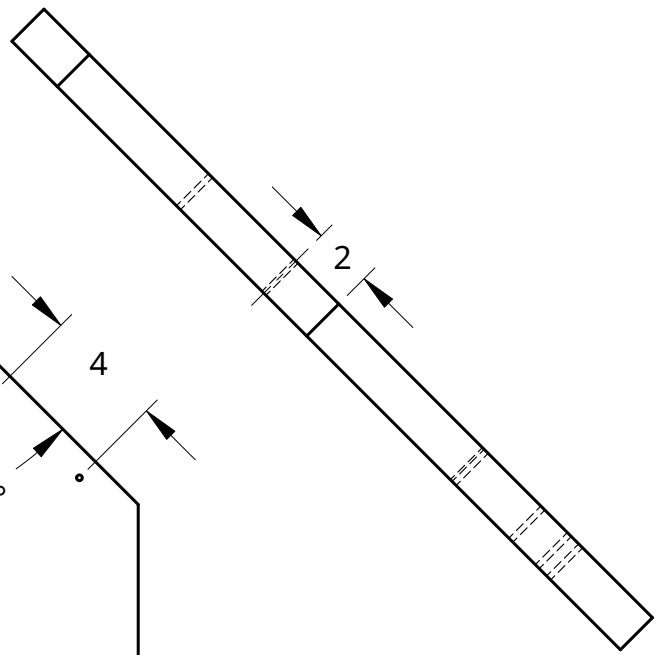
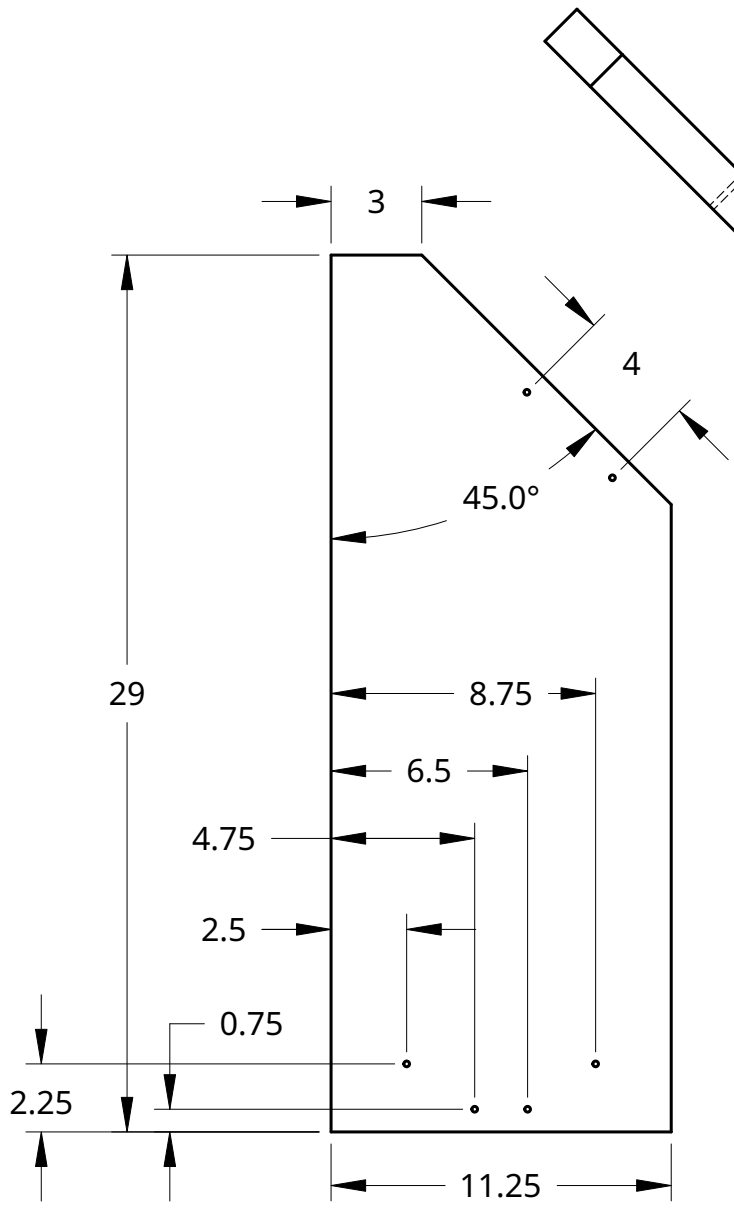
1

B

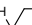

B

A

A



Note: Part cut from 2"x12" dimensioned lumber
32 inches long

UNLESS OTHERWISE SPECIFIED, DIMENSIONS ARE IN MILLIMETERS ANGULAR = ± ° SURFACE FINISH  DO NOT SCALE DRAWING BREAK ALL SHARP EDGES AND REMOVE BURRS THIRD ANGLE PROJECTION 	DRAWN	NAME	DATE	TITLE Angled Side Boards (4)	
	CHECKED	JENNY TRICE	12/13/2020		
	APPROVED				
	MATERIAL	FINISH	SIZE	DWG NO.	REV.
		A			
		SCALE	WEIGHT	SHEET	1 of 1
		2:1			

2

1

B

B

A

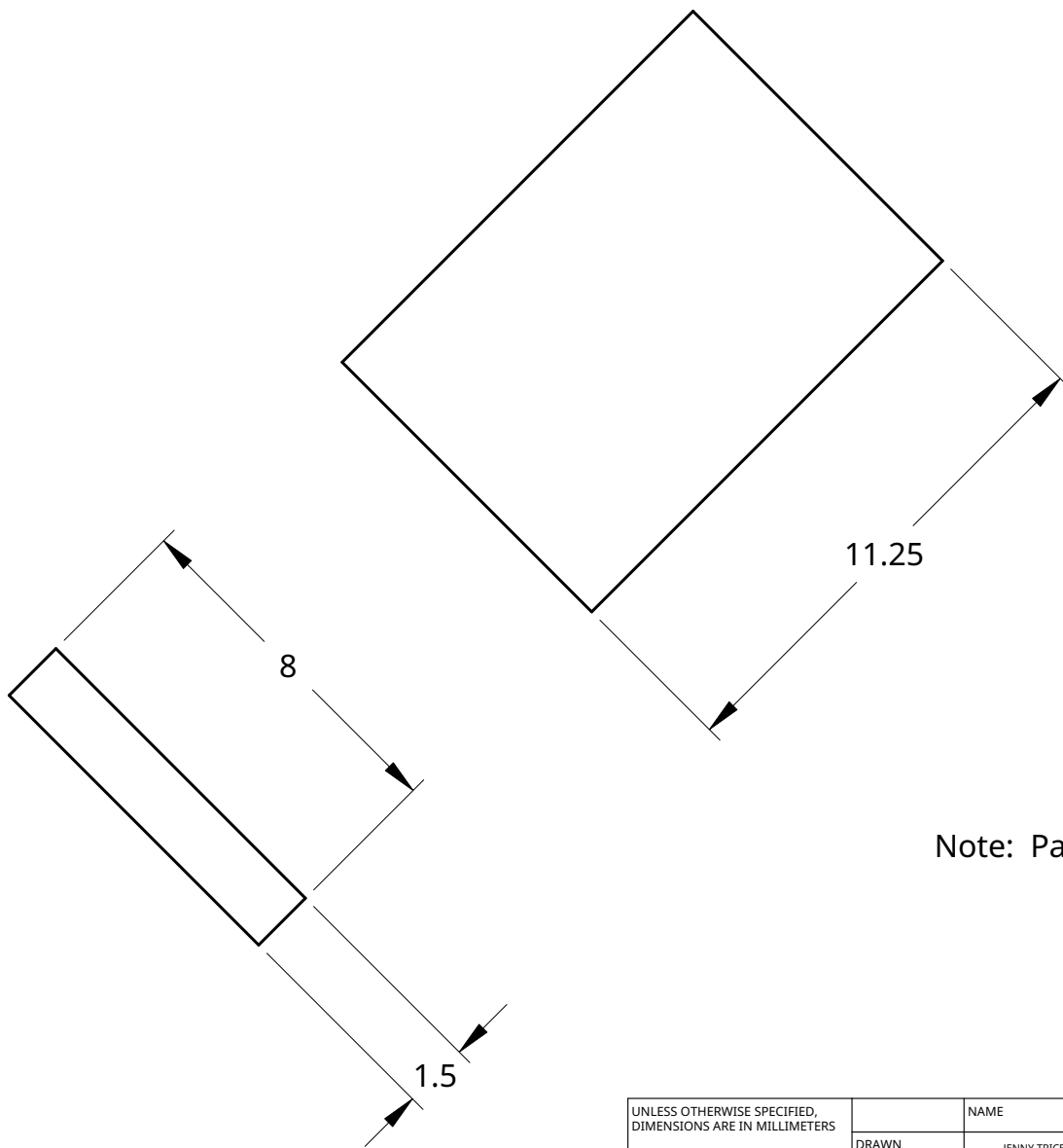
A

2

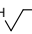

1

2

1



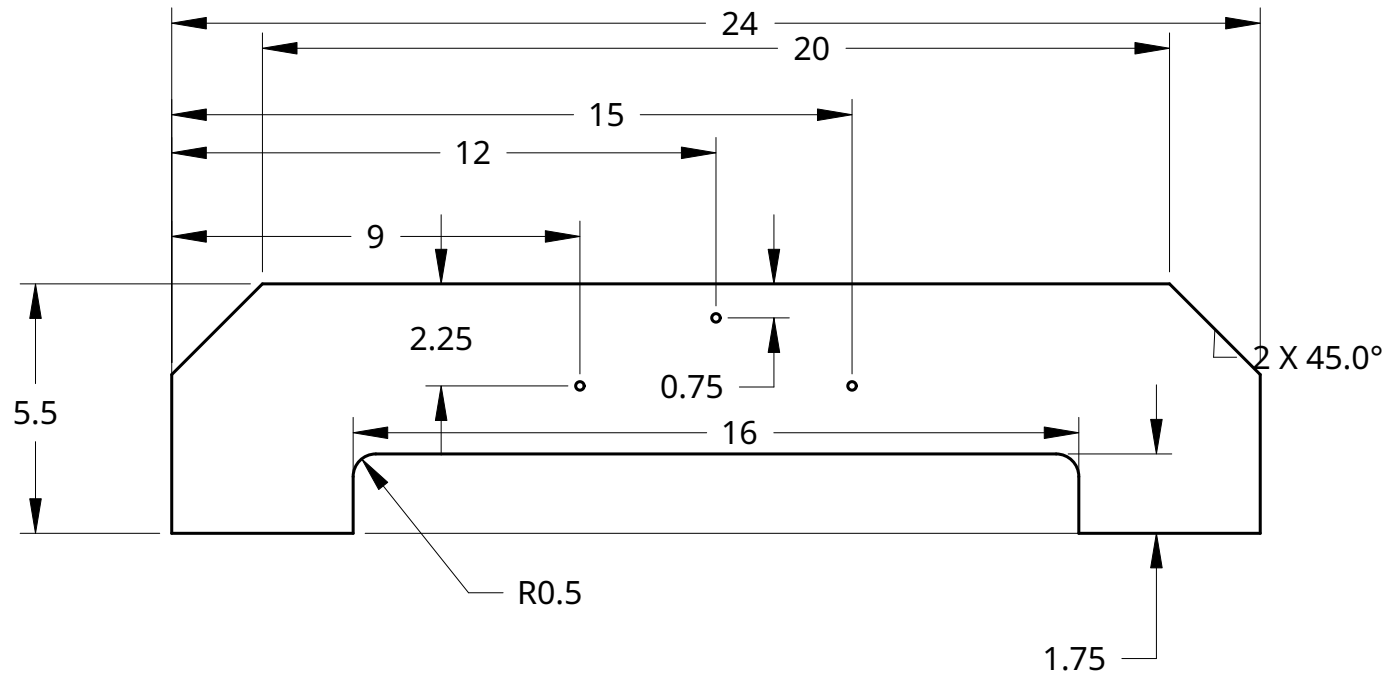
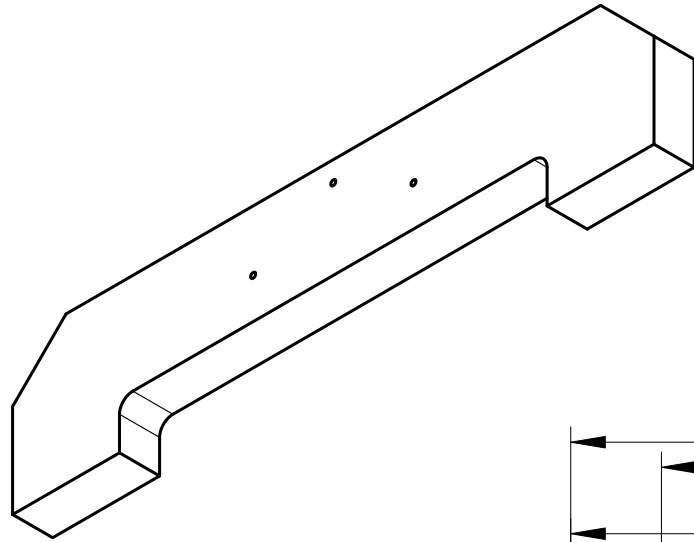
Note: Part cut from 2"x12" dimensioned lumber

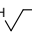

UNLESS OTHERWISE SPECIFIED, DIMENSIONS ARE IN MILLIMETERS ANGULAR = ± ° SURFACE FINISH  DO NOT SCALE DRAWING BREAK ALL SHARP EDGES AND REMOVE BURRS THIRD ANGLE PROJECTION 	DRAWN	NAME JENNY TRICE	DATE 12/13/2020	TITLE Saddle Cross Pieces (2)	
	CHECKED				
	APPROVED				
		MATERIAL	FINISH	SIZE A	DWG NO.
			SCALE 6:1	WEIGHT	SHEET 1 of 1

2

1

Note: Part made from 2":x6" diemnsioned lumber



UNLESS OTHERWISE SPECIFIED, DIMENSIONS ARE IN MILLIMETERS ANGULAR = ± ° SURFACE FINISH  DO NOT SCALE DRAWING BREAK ALL SHARP EDGES AND REMOVE BURRS THIRD ANGLE PROJECTION 	DRAWN	NAME	DATE	TITLE Outrigger feet (2)	
	CHECKED	JENNY TRICE	12/13/2020		
	APPROVED				
	MATERIAL	FINISH	SIZE	DWG NO.	REV.
		A			
		SCALE 3:1	WEIGHT	SHEET 1 of 1	

2

1

B

B

A

A