

## THE TAMING OF THE SKEW

THE SKEW IS OFTEN CONSIDERED THE MOST TROUBLESOME TOOL IN WOODTURNING. BY REMEMBERING THE FOLLOWING INFO AND LOTS OF PRACTICE, YOU WILL ENJOY THE SKEW!

### THE LATHE:

- SPINDLE HEIGHT SHOULD BE LEVEL WITH ELBOW.
- SOLID, NO VIBRATION, CAST IRON/HEAVY STEEL.
- NICK FREE TOOL REST, PREFER ROUND/WAX.
- RAISE TOOL REST, WORK ABOVE CENTER.
- WOOD MOUNTED TIGHT BETWEEN CENTERS.
- USE TAILSTOCK AS MUCH AS POSSIBLE, THIS APPLIES TO ALL WOODTURNING, INCLUDING BOWLS. #1 ENEMY IS VIBRATION, 3 THINGS CAN VIBRATE: THE LATHE, THE WOOD, THE TOOL. ALL 3 NEED SUPPORT AT ALL TIMES. ALWAYS LISTEN FOR VIBRATION.
- GOOD LIGHTING/DUST COLLECTION.

### THE WOOD:

- FRESH CUT GREEN WOOD WORKS WELL FOR PRACTICE, ESP MAPLE/BIRCH.
- ALWAYS TURN "DOWNHILL" TOWARDS CENTER, THE FIBERS ARE SUPPORTED BY THOSE TOWARDS CENTER.
- TURN SMALLEST DIAMETERS LAST, GIVES MAXIMUM SUPPORT, PREVENTS WHIPPING/CHATTER.
- NEVER USE A SKEW ON A BOWL, THE SKEW WILL CATCH THE END GRAIN.

### THE SKEW:

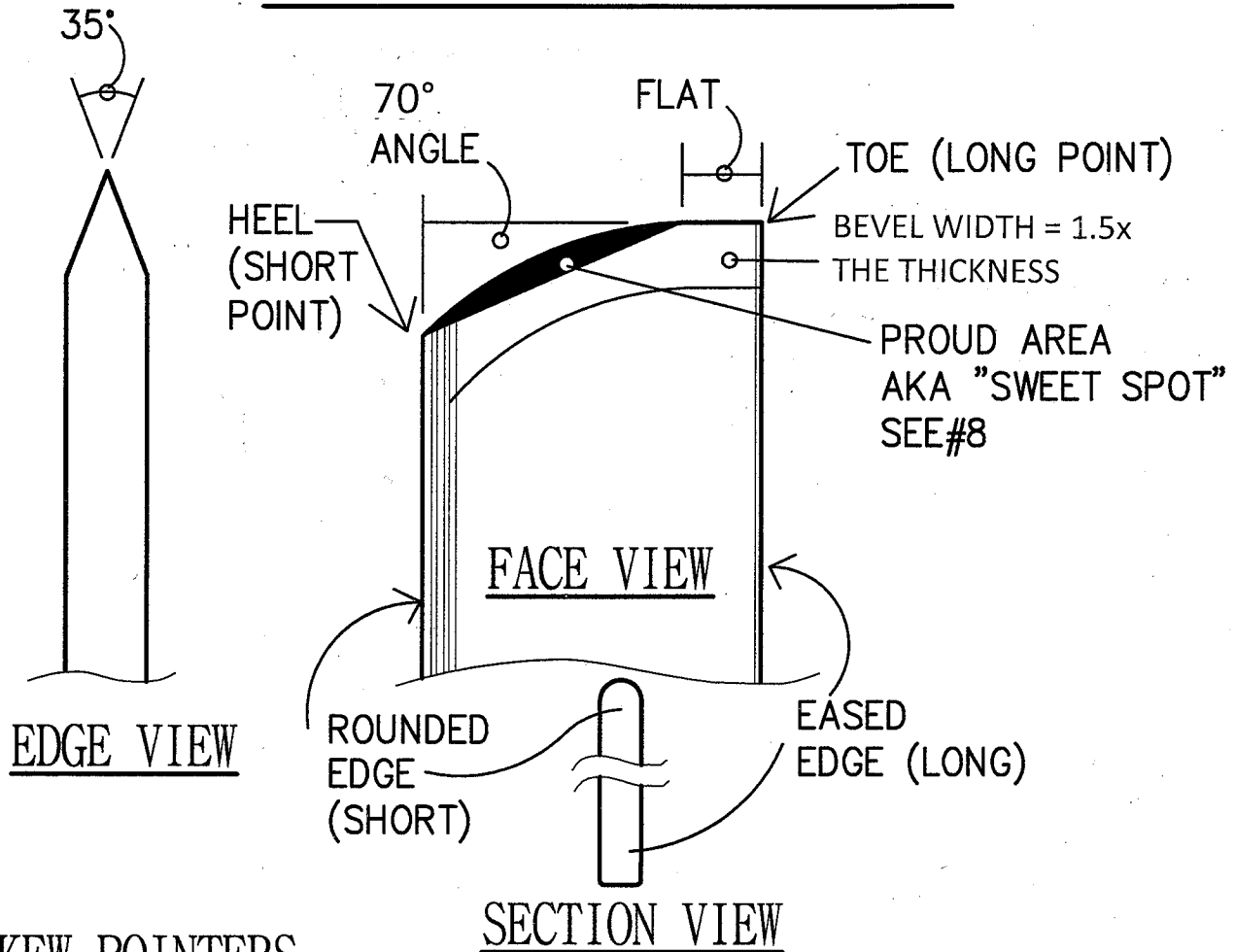
- DON'T ASSUME ANY TOOLS ARE PROPERLY GROUND/SHARPENED FROM THE STORE.
- SKEWS MUST GET SUPPORT FROM 3 POINTS: YOUR HANDS, THE TOOL REST AND THE BEVEL.
- KEEP THE TOOL SHARP, HONE BEFORE FINISH CUTS.
- AS THE BEVEL RUBS IT LIMITS THE DEPTH OF CUT, JUST LIKE THE SOLE OF A PLANE (SAME APPLIES TO THE GOUGE).
- MOST CATCHES ARE CAUSED BY LOSING THE BEVEL CONTACT.

### MINDSET:

- THINK OF THE SKEW AS A PLANE WITH HANDLE/CRANK APPLE PEELER ON BEADS.
- VISUALIZE THE MOVEMENT/CUT BEFORE MAKING IT.
- THINK SMOOTH GRACEFUL MOVEMENTS/CUTS.
- RELAX, DON'T GET FRUSTRATED, TAKE BREAKS.
- NOBODY MASTERS THE SKEW IN A FEW DAYS.....

KEEP A GOOD MENTAL APPROACH, HAVE FUN!

## THE TAMING OF THE SKEW



### SKEW POINTERS

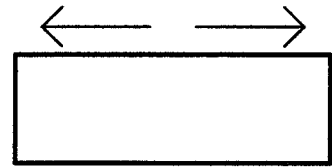
1. KEEP THE SKEW SHARP! GRIND & HONE. A SHARP TOOL DOES NOT RESIST THE WOOD, MAKING IT SAFER. SHARPENING SKILLS ARE JUST AS IMPORTANT AS TURNING SKILLS. TEST BY SHAVING THUMBNAIL.
2. ROUND THE INNER EDGE (SHORT) AND EASE THE OUTER EDGE (LONG).
3. POLISH AND WAX THE TOOL REST, USE A FILE/ORBITAL SANDER TO REMOVE ALL NICKS. ROUND TOOL RESTS WORK BEST.
4. THE SKEW MAY BE USED HORIZONTALLY AS A SCRAPER, BUT WILL DULL QUICKLY.
5. THINK OF THE SKEW AS A SMALL BLOCK PLANE: BY RIDING THE BEVEL, CATCHES ARE PREVENTED, DEPTH OF CUT IS CONTROLLED.
6. THINK POSITIVE, VISUALIZE ALL CUTS BEFORE YOU MAKE THEM WITH ALL TOOLS. RELAX, THE SKEW TAKES PRACTICE!
7. NEVER USE A SKEW ON A BOWL. IT WILL CATCH THE END GRAIN.
8. WIDER SKEWS WILL BE EASIER TO CONTROL FOR BEGINNERS, SINCE THE PROUD AREA IS LARGER.
9. OVAL SHAPE SKEWS ARE HARD TO GRIND PERFECTLY. I DO NOT RECOMMEND THEM FOR BEGINNERS.

# THE TAMING OF THE SKEW

Jim Jacobs  
woodmanmn@aol.com

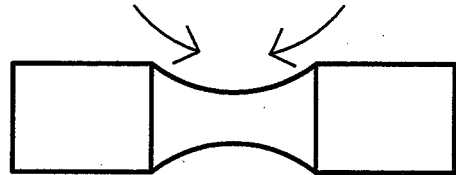
## PLANING CUT

LIFT THE TOOL REST—RUB THE BEVEL



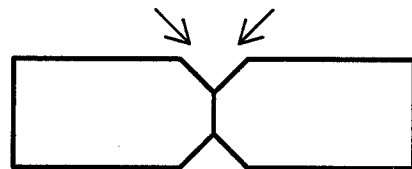
## COVE CUT

SHALLOW COVES ONLY  
RUB THE BEVEL—WORK TOWARDS CENTER



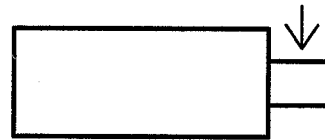
## V-GROOVE

RUB BEVEL—RAISE HANDLE DURING CUT  
CUT 1 SIDE AT A TIME, ENLARGE BY REPEATING



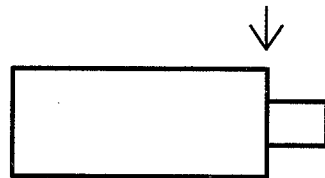
## PEELING CUT

RUB BEVEL—RAISE HANDLE—USE SQUARE TOE OF SKEW



## SLICING CUT

STAND SKEW ON LONG EDGE—RUB BEVEL  
CUT SMALL 'V' TO HELP THE TOE ENTER THE CUT.



## ROLLING BEADS

RUB BEVEL—CUT 1 SIDE AT A TIME  
LIFT AND TWIST.



## POMMEL CUT

STAND SKEW ON LONG EDGE  
LIFT AND TWIST DURING CUT  
RUB BEVEL, USE VERY POINT, LIGHT PASSES

